

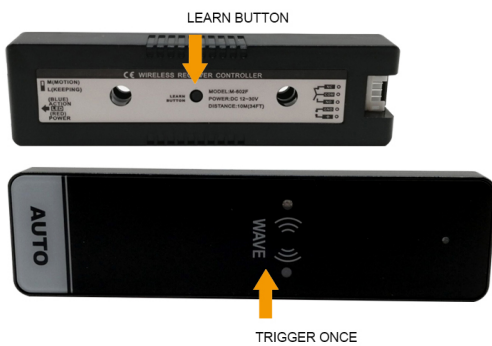
Wireless Infrared Touch Free Switch Button



WS-602H

How to pair learning code?

Press the receiver learning button and loose hand, the blue indicator on, entering learning mode, at this time, sensing the transmitter, the receiver blue light flashing twice, paring success. After 5 seconds, it automatically exits and returns to standby mode.



How do Delete ?

Press and hold the learning button for 5 seconds, the blue light flashes quickly, you can delete all codes.
(It does not support single delete)

Attention

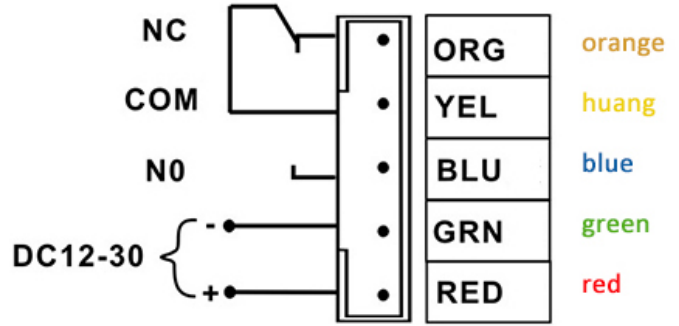
This product is a self-learning code type, the transmitter needs to be coded into the controller before use, and it can learn pair to 20 transmitters max

Specifications

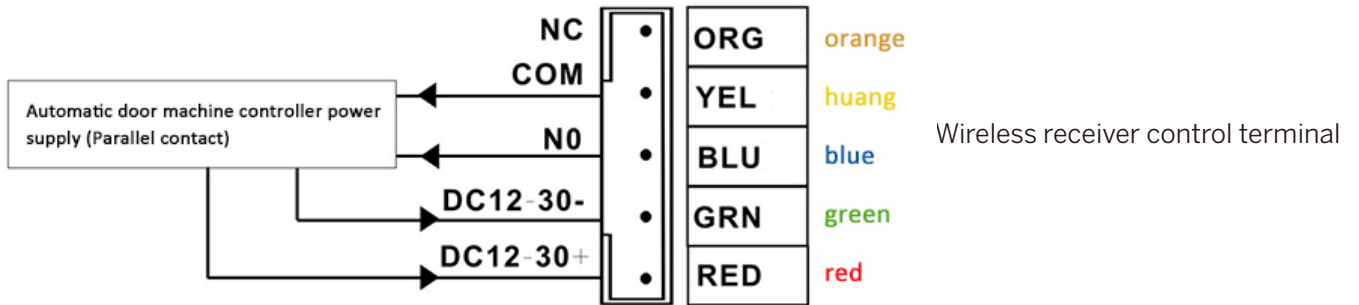
Input voltage (receiver):	AC/DC12V-30V
Stand-by current:	34mA (when DC12V power supply)
Current action:	64mA (when DC12V power supply)
Emission current:	10mA
Launch distance:	30 meters open, up to 30 meters above
Hand holder power supply:	3V (2 3V button batteries, powered in parallel)
Infrared scan interval:	M mode: 330Ms K mode: 250Ms
Battery Life:	An average of 200 compressions per day for 190 days

Input/output lead definition

Wireless receiver control terminal



Wiring example for wireless receiver application



*Wireless receiver control automatic door machine wiring diagram

Dimensions



S4A Industrial Co., Limited

Address: The 2nd floor, Jinmin'an Industrial Zone, #529, Bulong Rd.
Bantian St. Longgang Dist. Shenzhen, PRC., CN 518131



Tel: +86 755 29450011

www.s4a-access.com